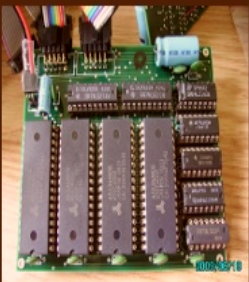


Speech Recognition Front End Data sheet For Mi-Droid



Machine
Intelligence
Technologies



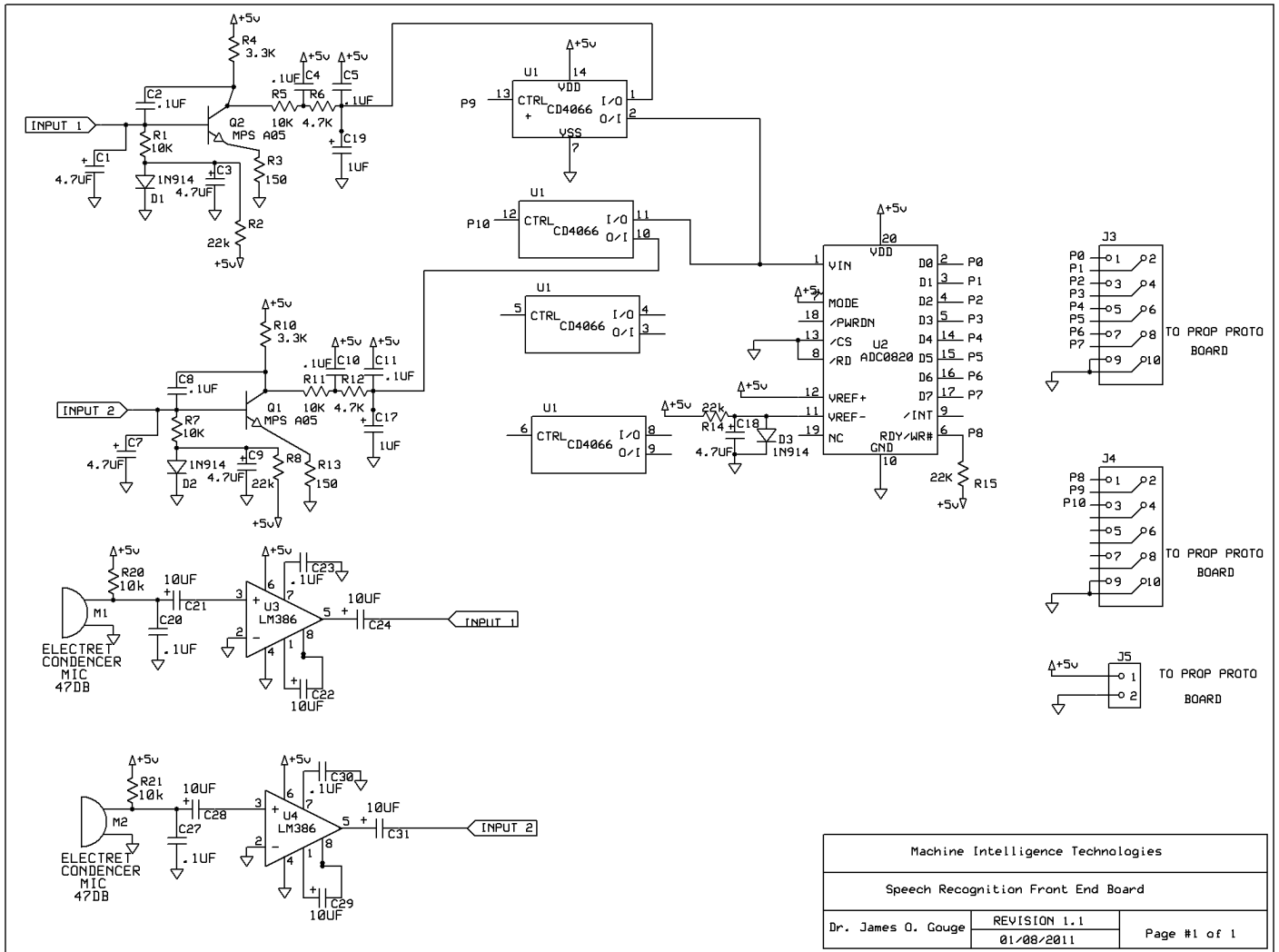
Components

In addition to the components listed in the kit you will also need a breadboard or pc board to mount the components on and the means to create circuits.

PART	Description
CD4066	IC plus socket
ADC0820	IC plus socket
C1	4.7 uf
C2	.1 uf
C3	4.7 uf
C4	.1 uf
C5	.1 uf
C7	4,7 uf
C8	.1 uf
C9	4.7 uf
C10	.1 uf
C11	.1 uf
C17	.1 uf
C18	4.7 uf
C19	.1 uf
C20	.1 uf
C21	10 uf
C22	10 uf
C23	.1 uf
C24	10uf
C27	.1 uf
C28	10 uf
C29	10 uf
C30	.1 uf
C31	10uf
D1	1N914
D2	1N914
D3	1N914

PART	Description
J3	10 pin male jumper
J4	10 pin male jumper
J5	2 pin male jumper
M1	Electret Condenser MJC 47
M1	Electret Condenser MJC 47
Q1	MPS A05
Q2	MPS A05
R1	10 k
R2	22 k
R3	150 k
R4	3.3 k
R5	10 k
R6	4.7 k
R7	10 k
R8	22 k
R10	3.3 k
R12	4.7 k
R13	150 k
R14	22 k
R15	22 k
R20	10k
R21	10k
U3	LM 386
U4	LM 386
H3	10 pin female header .100"
H4	10 pin female header .100"
H5	2 pin screwtype power connector
	Ribbon Cable 12 inches
	Hook up wire 6 in

Schematics



Drawing 1: Speech Recognition Schematics 1 of 1